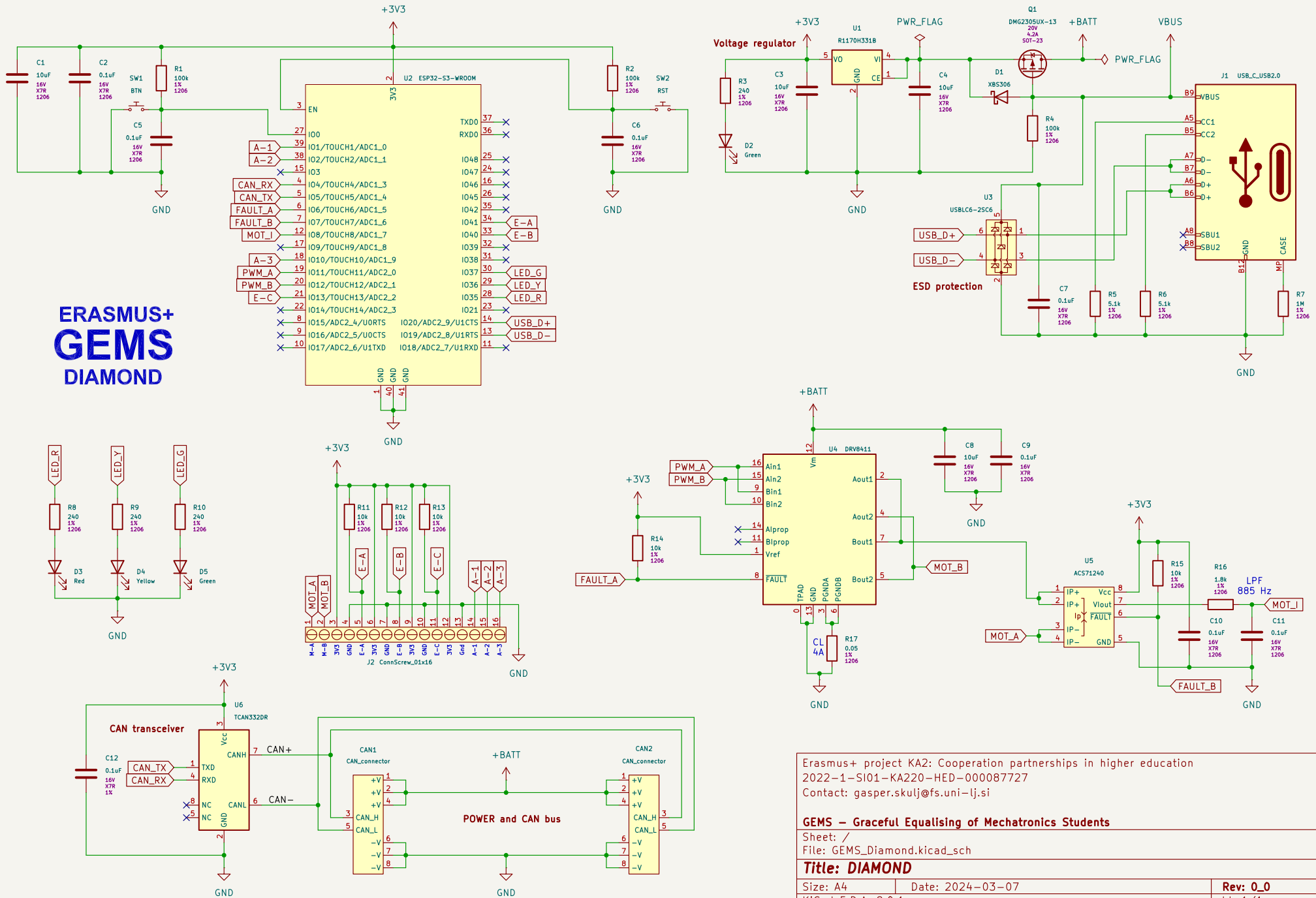


# ERASMUS+ GEMS DIAMOND



Erasmus+ project KA2: Cooperation partnerships in higher education  
 2022-1-SI01-KA220-HED-000087727  
 Contact: gasper.skulj@fs.uni-lj.si

### GEMS – Graceful Equalising of Mechatronics Students

Sheet: /  
 File: GEMS\_Diamond.kicad\_sch

### Title: DIAMOND

Size: A4 | Date: 2024-03-07  
 KiCad E.D.A. 8.0.1

Rev: 0\_0  
 Id: 1/1