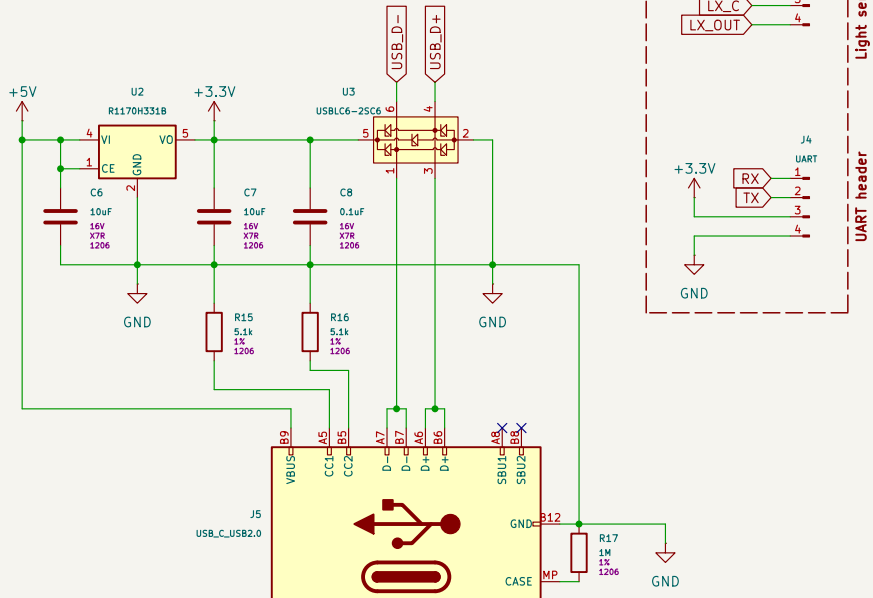
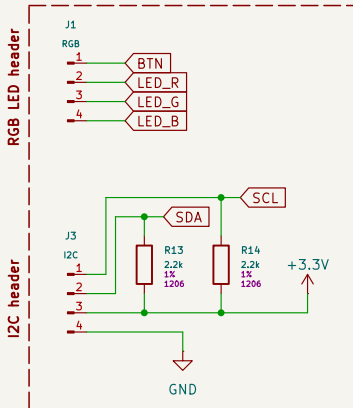


ERASMUS+ GEMS AMETHYST



Erasmus+ project KA2: Cooperation partnerships in higher education
2022-1-SI01-KA220-HED-000087727
Contact: gasper.skulj@fs.uni-lj.si

GEMS – Graceful Equalising of Mechatronics Students

Sheet: /
File: GEMS_Amethyst.kicad_sch

Title: AMETHYST

Size: A4 Date: 2024-03-17
KiCad E.D.A. 8.0.0

Rev: 0_0
Id: 1/1